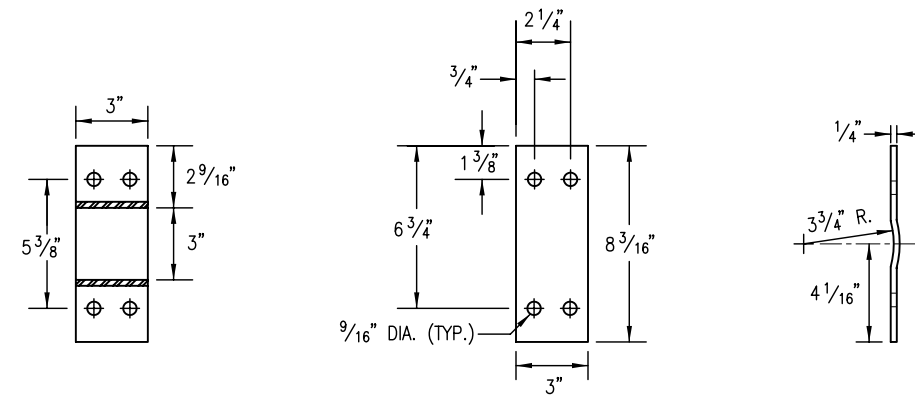
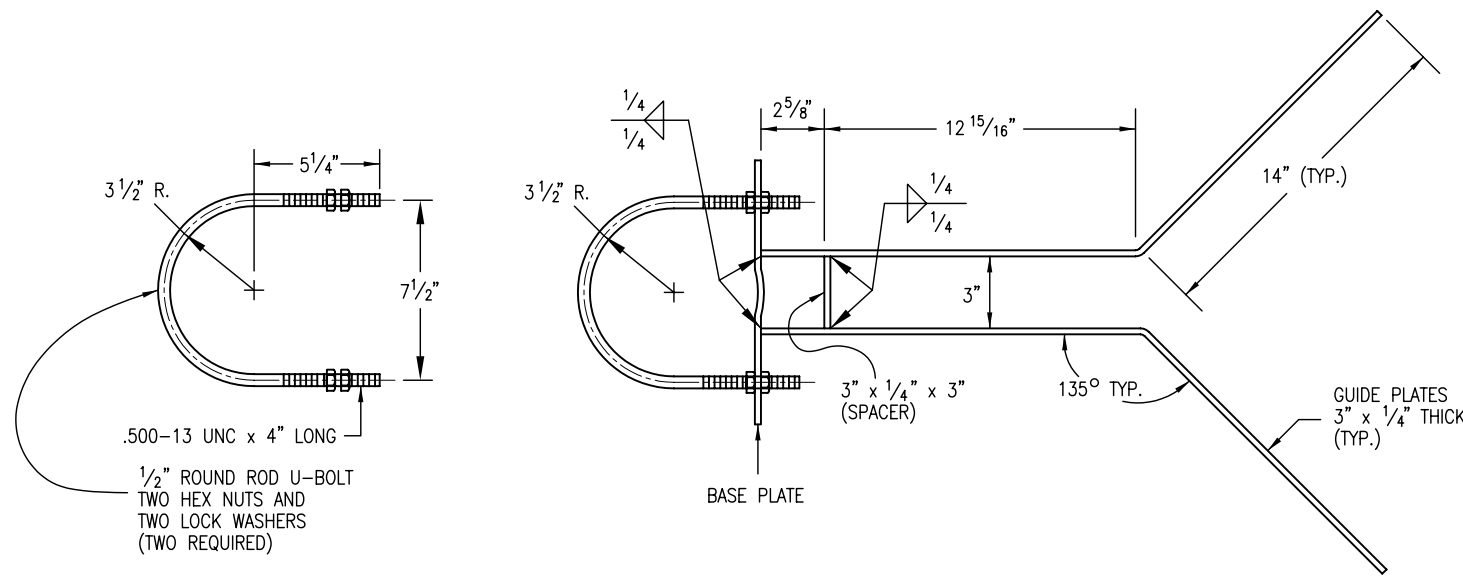


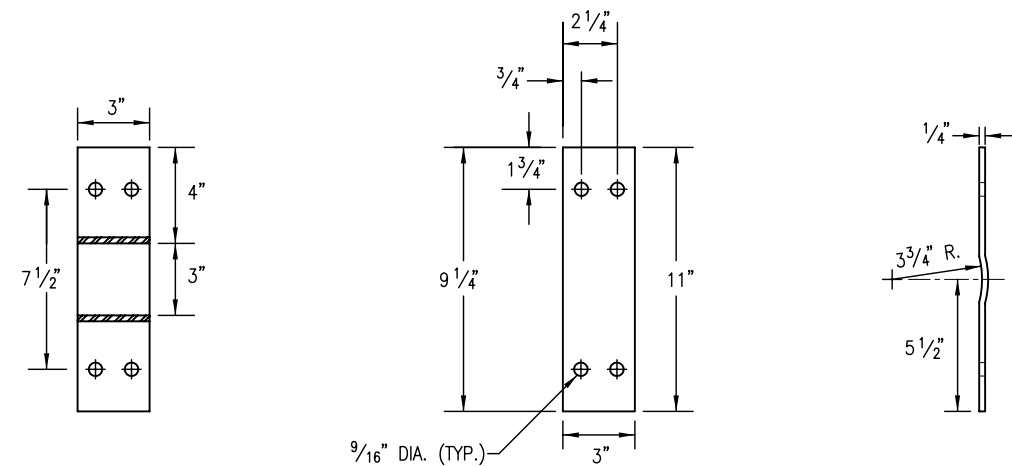
**TOP GATE ARM GUIDE**



**TOP BASE PLATE DETAILS**



**BOTTOM GATE ARM GUIDE**



**BOTTOM BASE PLATE DETAILS**

Computer File Information	
Creation Date: 07/04/06	Initials: SJR
Last Modification Date: 07/04/06	Initials: LTA
Full Path: www.dot.state.co.us/DesignSupport/	
Drawing File Name: 6070150609.dwg	
CAD Ver.: MicroStation V8 Scale: Not to Scale Units: English	

Sheet Revisions	
Date:	Comments
(R-X)	
(R-X)	
(R-X)	
(R-X)	

Colorado Department of Transportation  
 4201 East Arkansas Avenue  
 Denver, Colorado 80222  
 Phone: (303) 757-9083  
 Fax: (303) 757-9820

**Project Development Branch**      **SRJ/LTA**

**ROAD CLOSURE GATE**

Issued By: Project Development Branch on July 04, 2006

STANDARD PLAN NO.
M-607-15
Sheet No. 6 of 9